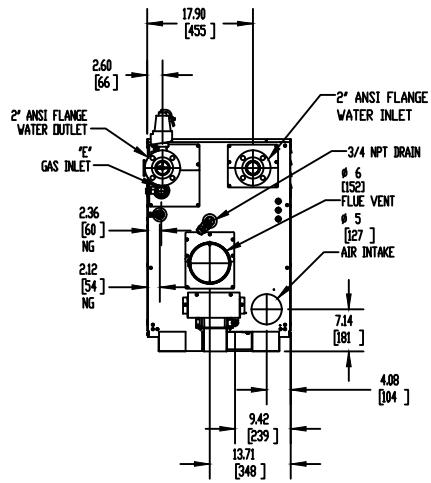
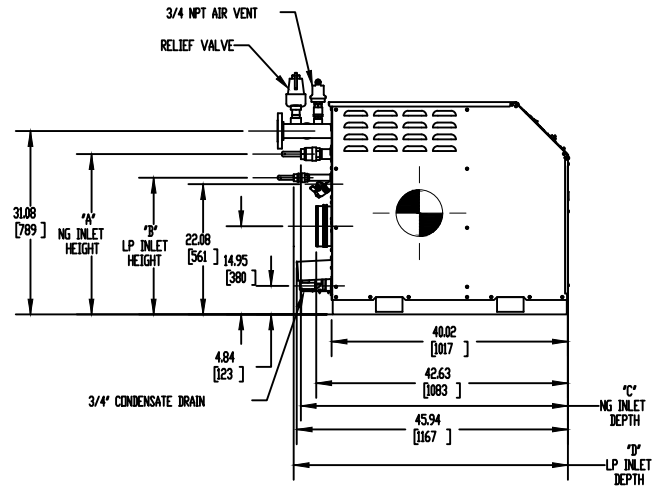


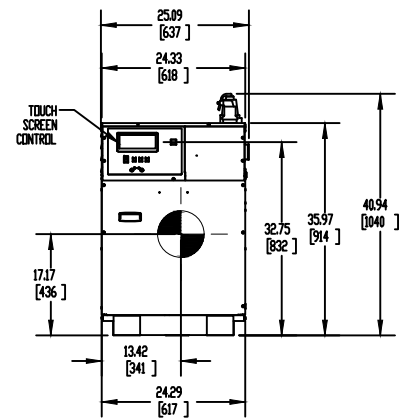
TOP VIEW



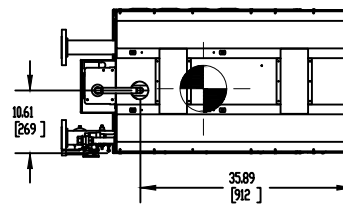
REAR VIEW



LEFT SIDE VIEW



FRONT VIEW



BOTTOM VIEW

GAS OPTION	"N"	"P"	"C"	"D"	"E"
NG	27.17	-	49.25	-	1-1/4 NPT
LP	-	23.16	-	46.46	3/4 NPT

NOTES:

1. SYMBOL INDICATES CENTER OF GRAVITY.
2. DIMENSIONS ARE NOMINAL AND SUBJECT TO MANUFACTURING VARIATION AND SHOULD NOT BE USED FOR 'ROUGHING IN'.
3. ALL DIMENSIONS ARE INCHES [mm].